

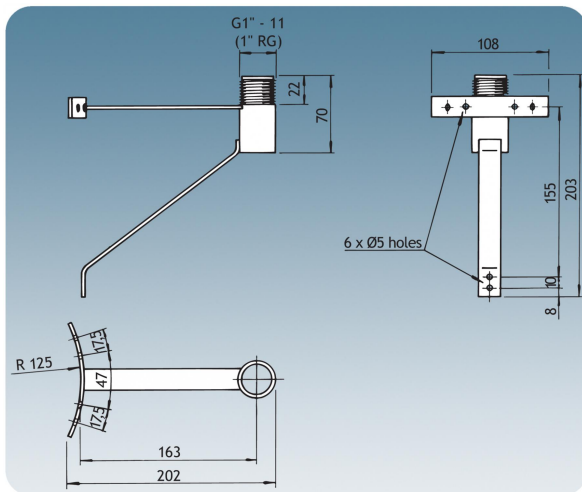
## SMR 1 / SMR 2

Stainless steel side-mounting clamps for antennas based on mounting on 1" threaded water pipe

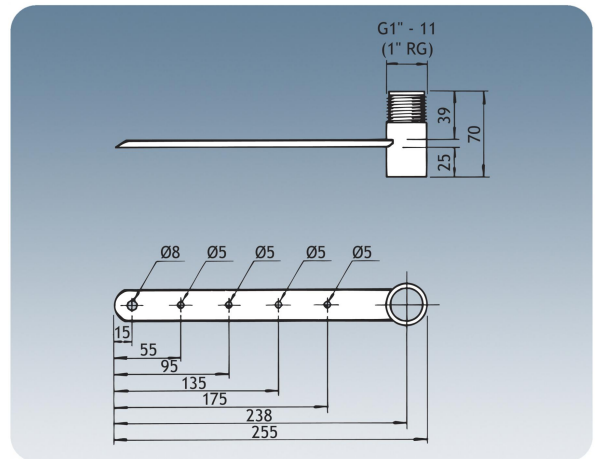
### DESCRIPTION

- These stainless steel side-mounting clamps are mainly designed for marine use, and they provide a convenient way of side-mounting all antennas based on the 1" water pipe mounting system. This system is a generally accepted mounting system for antennas inside the marine sector.
- The clamps are equipped with a 70 mm length of 1"RG (G1" - 11) threaded piping, which fits the revolving nut of the antennas.
- Both types are mostly used at the masthead of yachts, where many obstacles, as e.g. windex, flags, navigational lights and perhaps already existing antenna installations prevent a proper installation of a new antenna.
- The **SMR 1** is designed for mounting at the side of the mast, where it can be fastened using screws or 5 mm rivets. Please note that the SMR 1 should be mounted at the very top of the mast, thereby allowing the antenna to be positioned as unobstructed as possible. Objects parallel to the antenna element may have strong degrading influence on the SWR and the radiation pattern of the antenna. The SMR 1 may be found usable in many other applications than the one described here.
- The **SMR 2** is designed for mounting on the normally horizontally positioned top plate (windex-plate) of the mast. It is mounted across the plate allowing the tube-end to protrude 40–125 mm from the plate edge.
- Among the antennas which are suitable for SMR 1 and SMR 2 can be mentioned: CXL 3-1, CXL 2-1/..., CXL 2-3, CXL-VHF/GSM, MARCELL, MARCELL 3+, CXL 70-1/..., CXL 70-3/..., CXL 900-1/..., CXL 900-3/..., CXL 1800-1/..., CXL 1800-3/..., CXL 1800-6/..., CXL 2400-1/..., CXL 2400-3/..., CXL 2400-6/..., CXL 900/1800, CXL 900/1800/1900 and GPS 4/....
- Both clamps are made of brightly polished acid-proof stainless steel.
- The SMR 1 and SMR 2 are members of a complete family of Procom clamps for 1"-pipe mount antennas. The complete family is shown below. Using the SMR 1 and SMR 2 or one of these accessory items, a vast majority of all installations can be undertaken.

### SMR 1



### SMR 2



### ORDERING DESIGNATIONS

TYPE NO.	PRODUCT NO.
SMR 1	110000045
SMR 2	110000046

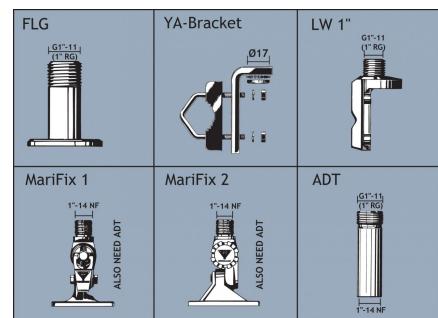
### SMR 1

SMR 1	
FUNCTION	Clamp for side mounting on mast
STAND-OFF DISTANCE	160 mm
THREAD	G1" - 11 (1" RG)
MATERIAL	Acid proof polished stainless steel
WEIGHT	Approx. 380 g
MOUNTING	At the side of aluminium or wooden masts with screws or rivets

### SMR 2

SMR 2	
FUNCTION	Side-mounting clamp for mounting across windex-plate
MAX. RECOMMENDED PROTRUSION	125 mm
THREAD	G1" - 11 (1" RG)
MATERIAL	Acid proof polished stainless steel
WEIGHT	Approx. 230 g
MOUNTING	Across the windex-plate with screws or rivets

### OTHER ACCESSORIES





PROCOM France S.A.R.L. se réserve le droit  
d'améliorer les spécifications sans préavis.  
15/12/14