

# PLPI 900/1800

Indoor dual Patch Antenna for mounting on Wall or Ceiling

## DESCRIPTION

- Low profile antenna for the 900 and 1800 MHz Band.
- PLPI 900/1800 is a patch antenna for indoor use.
- Covers 80 MHz at 900 MHz and 170 MHz at 1800 MHz with a radiation of approx. 8 dBi.
- The antenna is carefully sealed with a discreet white cover.
- The two connectors are placed at one side to enable mounting close to a wall or a ceiling.



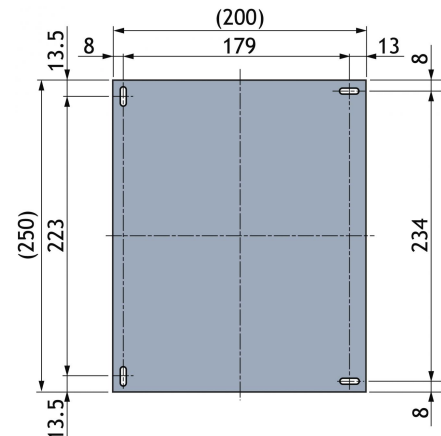
## ORDERING DESIGNATIONS

TYPE	PRODUCT NO.
PLPI 900/1800	100000322

## SPECIFICATIONS

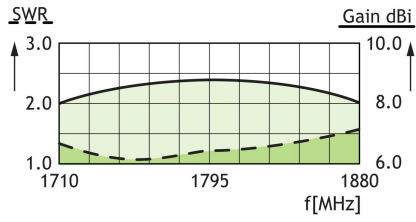
ELECTRICAL	
MODEL	PLPI 900/1800
ANTENNA TYPE	Linearly Polarized patch antenna
FREQUENCY	880 - 960 MHz / 1710 - 1880 MHz
IMPEDANCE	Nom. 50 Ω
POLARIZATION	Linear
GAIN	8 dBi
BANDWIDTH	880 - 960 ≥ 80 MHz @ SWR ≤ 2 1710 - 1880 ≥ 170 MHz @ SWR ≤ 2
HALF-POWER BEAMWIDTH	65° - 85° in azimuth plane 60° - 80° in elevation plane
SWR	≤ 2
MAX. POWER	100 W
MECHANICAL	
CONNECTOR	2 x N-female
COLOUR	Marine white
MATERIALS	Cover: PS Chassis: Aluminium
SIZE (L x W x H)	Approx. 250 x 200 x 30 mm
WEIGHT	Approx. 0.4 kg
MOUNTING	For mounting on wall or ceiling ø4.5 x 20 mm (four holes)

## MOUNTING DETAILS

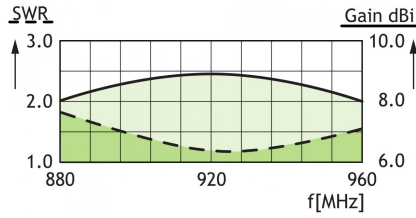


(Dimensions excl. cover)

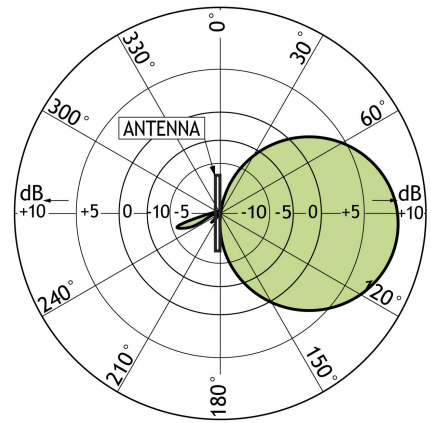
TYPICAL GAIN AND SWR CURVE 880 - 960 MHz



TYPICAL GAIN AND SWR CURVE 1710 - 1880 MHz

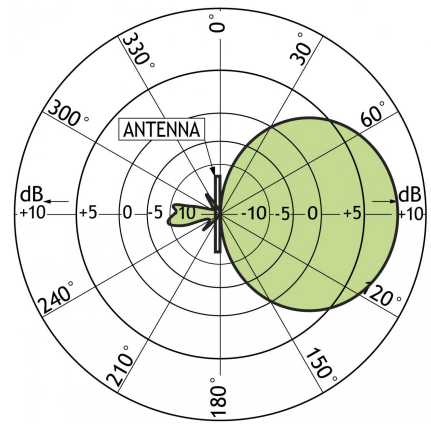


TYPICAL RADIATION PATTERN (E-PLANE)



This curve shows the radiation patterns in the vertical plane.

TYPICAL RADIATION PATTEN (H-PLANE)



This curve shows the radiation patterns in the horizontal plane.



PROCOM France S.A.R.L. se réserve le droit d'améliorer les spécifications sans préavis.

11/09/14