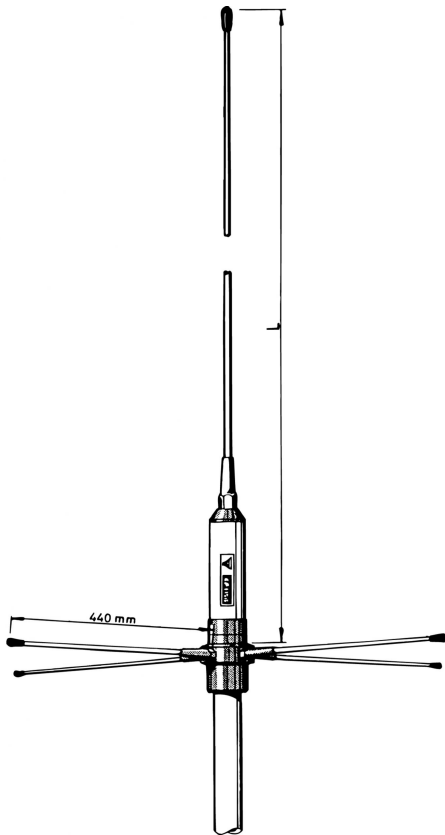


GP 160 5/8

$\frac{5}{8} \lambda$ Ground-Plane Base Station and Marine Antenna for the 2 m Band

DESCRIPTION

- GP 160 5/8 is a 1 dBd, vertically polarised omnidirectional base station and marine antenna.
- The antenna is tunable (by cutting the radiator) within the frequency band 145...175 MHz.
- GP 160 5/8 is a very sturdy construction which can stand mounting under extreme conditions. It is well suited for mounting on fishing vessels etc. and a good choice for base stations in the land mobile field.
- The antenna is delivered adjusted to 145 MHz unless otherwise specified. It may, however, be delivered preadjusted for the maritime VHF band provided this is stated on the purchase order.
- GP 160 5/8 is DC-grounded and antistatically protected as all metal parts are ground-connected. Consequently, the antenna shows a DC-short across the coaxial cable.
- The materials used are glass fibre and chromed brass.



The length of the radiator is measured from the upper edge of the head, right above the mounting point of the radials, to the top end of the antenna element. The radials should not be cut.

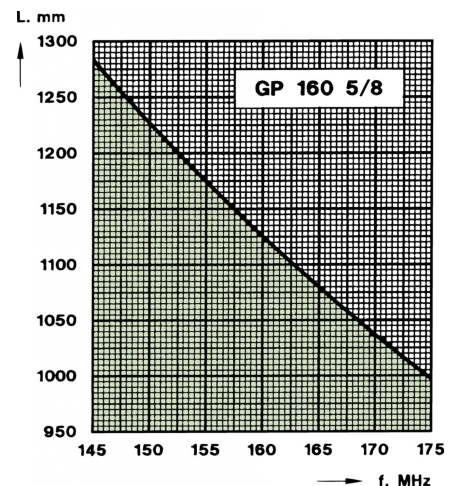
ORDERING DESIGNATIONS

TYPE	PRODUCT NO.
GP 160 5/8	10000108

SPECIFICATIONS

ELECTRICAL	
MODEL	GP 160 5/8
ANTENNA TYPE	$\frac{5}{8} \lambda$ ground-plane
FREQUENCY	Tunable by cutting within: 145...175 MHz
IMPEDANCE	Nom. 50 Ω
RADIATION	Omnidirectional
POLARIZATION	Vertical
GAIN	3 dBi 1 dBd
BANDWIDTH	6 MHz (SWR \leq 2.0)
SWR	\leq 1.2 @ f. res.
MAX. POWER	500 W
ANTISTATIC PROTECTION	All metal parts DC-grounded (Connector shows a DC-short)
MECHANICAL	
TEMP. RANGE	-30° C \rightarrow +70° C
CONNECTOR	UHF-female (fitting PL-259)
WIND SURFACE	0.028 m ²
WIND LOAD	35 N @ 160 km/h
COLOUR	White/bright chrome
MATERIALS	Shroud : Polyurethane-coated glass fibre Metal parts: Bright chromed brass
TOTAL HEIGHT	Approx. 1.34 m
DIA. IN TOP END	5 mm
DIA. IN BOTTOM END	8 mm
WEIGHT	Approx. 1.3 kg
MOUNTING	On 27 mm dia. mast tube ($\frac{3}{4}$ " water pipe)

CUTTING DIAGRAM



PROCOM A/S reserve the right to amend specifications without prior notice.

03/02/15