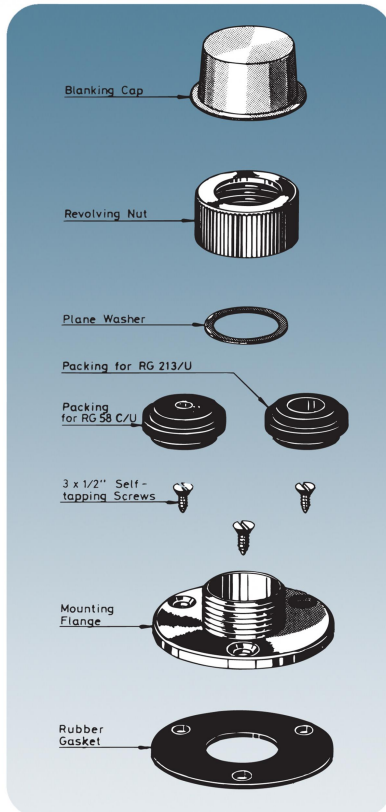


CFT 259

Deck Feed-Through for Coaxial Cable with Connector

DESCRIPTION

- This deck feed-through is mainly designed for use on pleasure crafts, yachts etc. where the mast is dismantled when the vessel is hoisted on land for service or for winter storage.
- If the vessel carries a masthead-mounted antenna with the downlead cable permanently fixed to the mast, it is possible, using the CFT 259, to withdraw the cable with connector from under deck, up through the feed-through without dismantling the connector.
- The connector can be a PL 259 (UHF) connector or any other connector with an outside diameter less than 20.5 mm (e.g. type "N"). A blanking cap to cover the feed-through when the cable has been removed is enclosed.



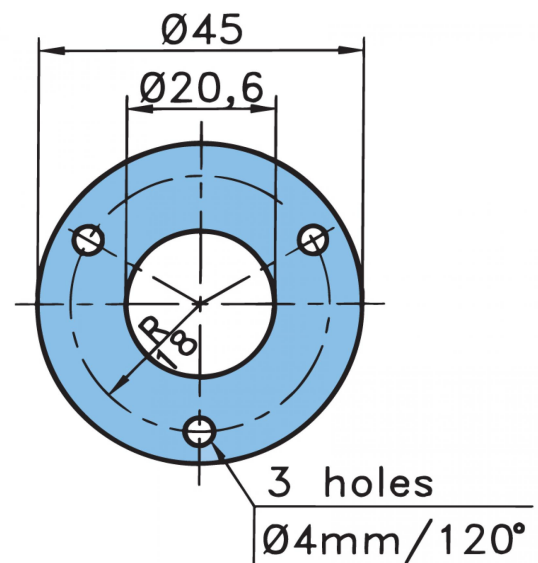
ORDERING DESIGNATIONS

TYPE NO.	PRODUCT NO.
CFT 259	110000029

SPECIFICATIONS

MODEL	CFT 259
TEMP. RANGE	-30° C → +70° C
APPLICATION	Deck feed-through for coaxial cable with connector
COAXIAL CABLE TYPE	RG 58 C/U or RG 213/U
MAX. CONNECTOR DIA.	20.5 mm
MATERIAL	Chromed brass Environment-proof plastics
SURFACE TREATMENT	Triple chrome plating
WEIGHT	Approx. 80 g

INSTALLATION DETAILS



PROCOM France S.A.R.L. se réserve le droit d'améliorer les spécifications sans préavis.
14/11/11