

# SPECIFICATION

## MODEL

### CX-600NC

IMPEDANCE / 50 Ohms.

#### VOLTAGE

ACTUATION DATA :

VOLTAGE :

Pull in ..... 10Vdc - 14Vdc (12.0Vdc Nominal)

Drop out ..... 3.0Vdc Min.

Current ..... 136mA @12Vdc 20°C

Coil resistance ... 88 Ohms 10% @ 20°C

#### SWITCHING TIME

SWITCHING TIME :

Pull in ..... 20ms max.

Drop out ..... 15ms max.

LIFE EXPECTANCY ... 1,000,000. - Operation min.

#### MECHANICAL

MECAHANICAL :

Contact arrangement ..... SPDT

Operational temperature ..... - 25°C to + 50°C (Max Temperature Rise:20c)

Weight ..... Approx 230gs.

Mounting ..... Two screws

Cable connections ..... 1 N Type female connector, Directly connect cables.

#### ELECTRICAL CHARACTERISTICS

ELECTRICAL CHARACTERISTICS :

Frequency MHz	VSWR Max	Isolation -dB(min)	Ins.Loss -dB(max)	IN PUT
				RF Power KW(PEP)
50	1.03	60	0.07	1.0
150	1.1	48	0.1	1.0
500	1.15	37	0.15	0.8
1000	1.2	28	0.2	0.5
1500	1.2	26	0.2	0.35
2000	1.25	23	0.23	0.1

#### COIL CHARACTERISTICS

COIL CHARACTERISTICS :

Nominal Voltage

12Vdc

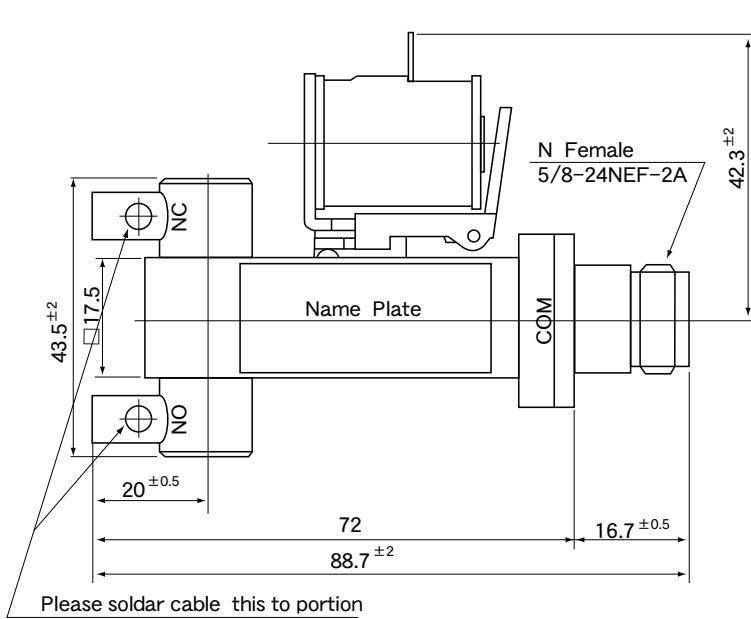
Voltage Range

10Vdc - 14Vdc

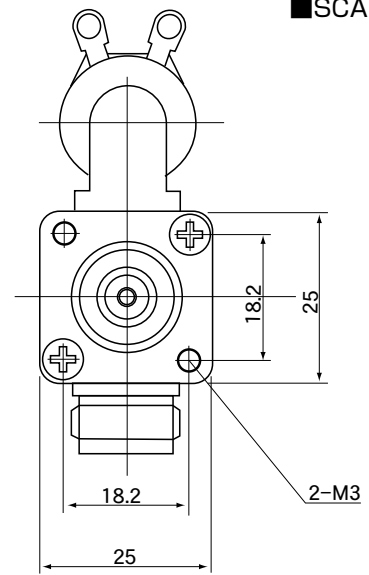
Resistance Ohms

88 ±10% 20°C

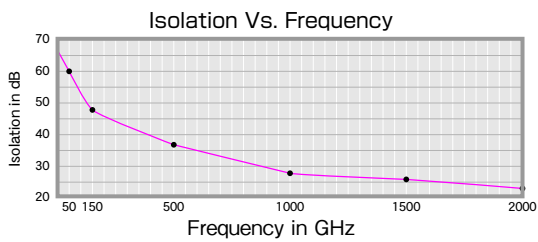
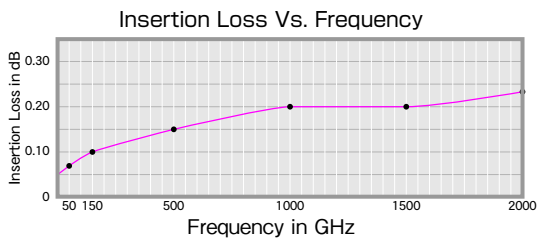
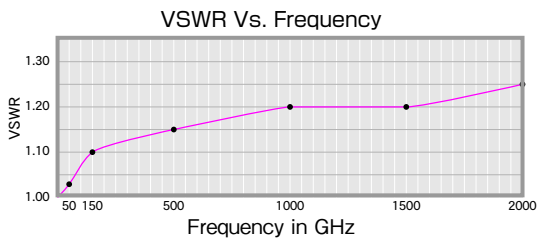
# DIMENSIONS



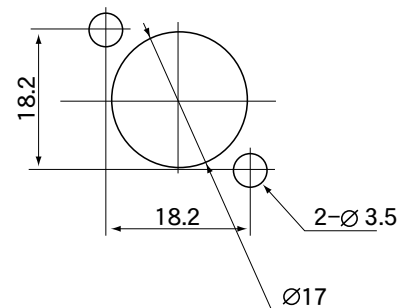
SCALE m/n



# Typical Operating Curves



(Mounting Holes)



# Schematic

