

SPECIFICATION

MODEL

CX-600N

IMPEDANCE / 50 Ohms.

VOLTAGE

ACTUATION DATA :
VOLTAGE :

Pull in 10Vdc - 14Vdc (12.0Vdc Nominal)
Drop out 3.0Vdc Min.
Current 136mA @12Vdc 20°C
Coil resistance ... 88 Ohms 10% @ 20°C

SWITCHING TIME

SWITCHING TIME :

Pull in 20ms max.
Drop out 15ms max.
LIFE EXPECTANCY ... 1,000,000. - Operation min.

MECHANICAL

MECAHANICAL :

Contact arrangement SPDT
Operational temperature - 25°C to + 50°C (Max Temperature Rise:20c)
Weight Approx 230gs.
Mounting Two screws
Cable connections 3 N Type female connectors.

ELECTRICAL CHARACTERISTICS

ELECTRICAL CHARACTERISTICS :

| Frequency MHz | VSWR Max | Isolation -dB(min) | Ins.Loss -dB(max) | IN PUT |
|------------------|-------------|-----------------------|----------------------|----------------------|
| | | | | RF Power KW (PEP) |
| 50 | 1.03 | 60 | 0.07 | 1.0 |
| 150 | 1.1 | 48 | 0.1 | 1.0 |
| 500 | 1.15 | 37 | 0.15 | 0.8 |
| 1000 | 1.2 | 28 | 0.2 | 0.5 |
| 1500 | 1.2 | 26 | 0.2 | 0.35 |
| 2000 | 1.25 | 23 | 0.23 | 0.1 |

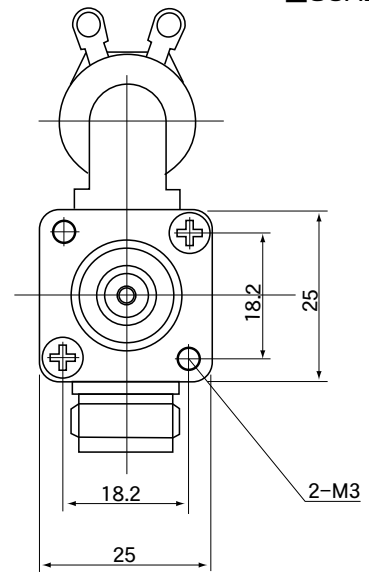
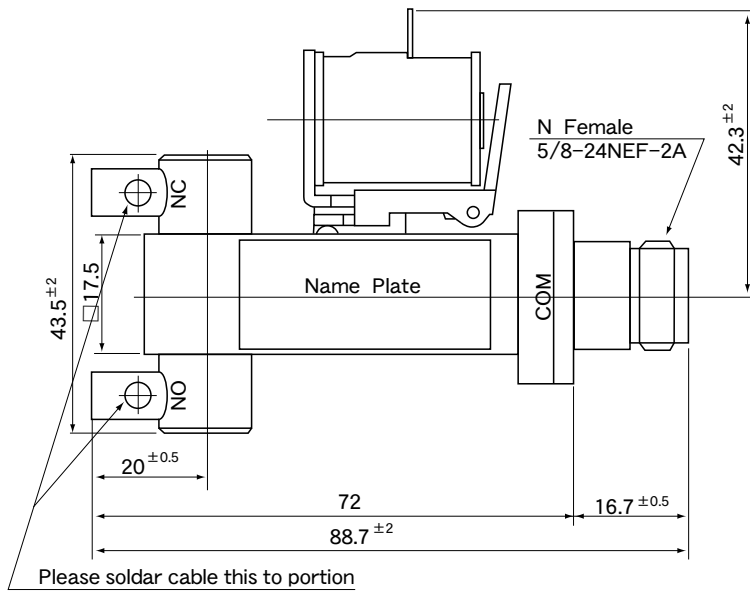
COIL CHARACTERISTICS

COIL CHARACTERISTICS :

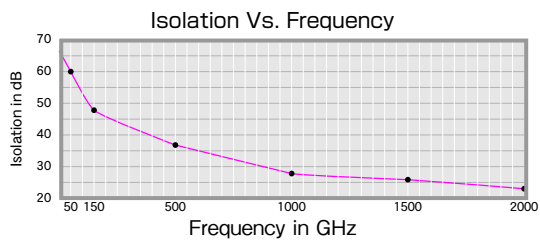
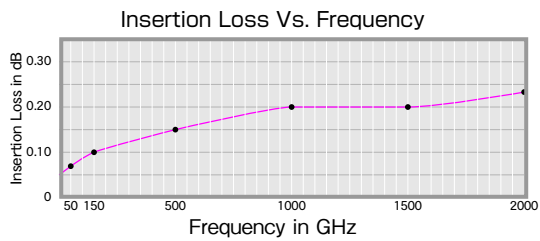
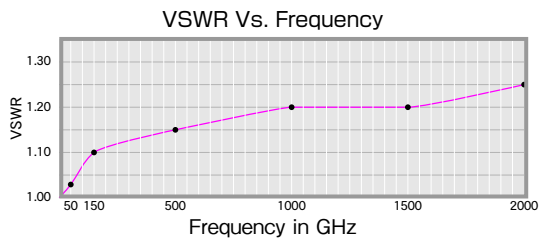
Nominal Voltage Voltage Range Resistance Ohms
12Vdc 10Vdc - 14Vdc 88 ±10% 20°C

DIMENSIONS

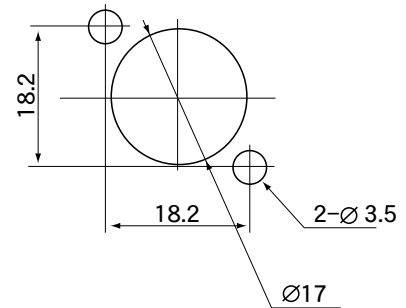
SCALE m/n



Typical Operating Curves



(Mounting Holes)



Schematic

