

# SPECIFICATION

## MODEL

# CX-600M(UHF)

IMPEDANCE / 50 Ohms.

### VOLTAGE

#### ACTUATION DATA :

#### VOLTAGE :

Pull in ..... 10Vdc - 14Vdc (12.0Vdc Nominal)

Drop out ..... 3.0Vdc Min.

Current ..... 136mA @12Vdc 20°C

Coil resistance ... 88 Ohms 10% @ 20°C

### SWITCHING TIME

#### SWITCHING TIME :

Pull in ..... 20ms max.

Drop out ..... 15ms max.

LIFE EXPECTANCY ... 1,000,000. - Operation min.

### MECHANICAL

#### MECAHANICAL :

Contact arrangement ..... SPDT

Operational temperature ..... - 25°C to + 50°C (Max Temperature Rise:20c)

Weight ..... Approx 230gs.

Mounting ..... Two screws

Cable connections ..... 3 M(UHF) Type female connectors.

### ELECTRICAL CHARACTERISTICS

#### ELECTRICAL CHARACTERISTICS :

Frequency MHz	VSWR Max	Isolation -dB(min)	Ins.Loss -dB(max)	IN PUT
				RF Power KW (PEP)
50	1.03	60	0.07	1.0 (1.5CW)
150	1.1	48	0.1	1.0 (1.3CW)
500	1.15	37	0.15	0.8

### COIL CHARACTERISTICS

#### COIL CHARACTERISTICS :

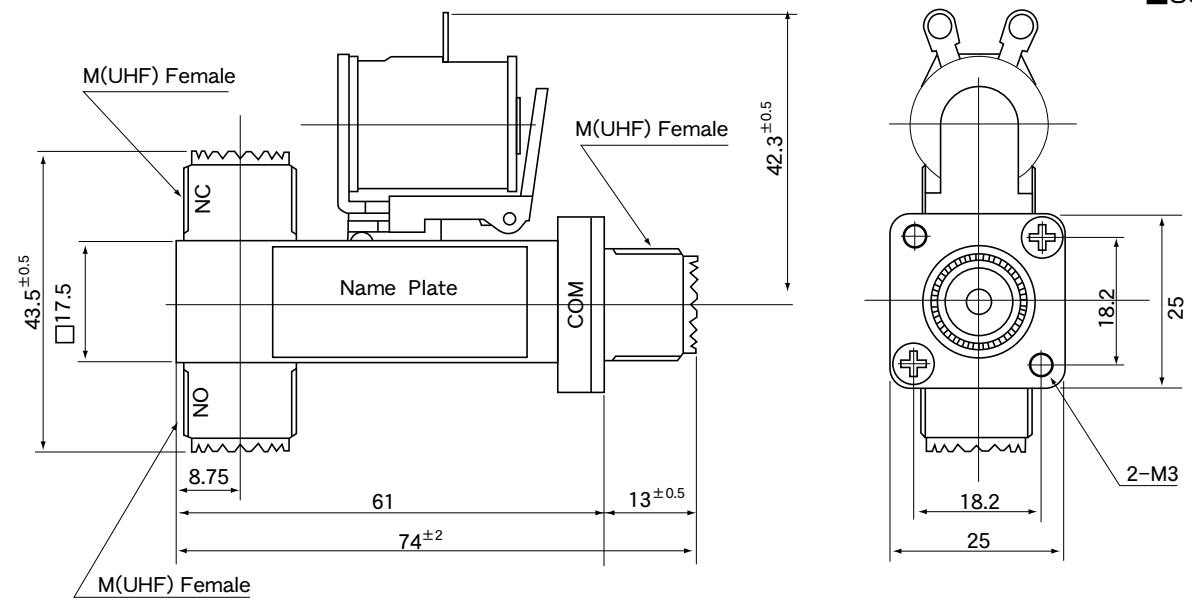
Nominal Voltage.  
12Vdc

Voltage Range  
10Vdc - 14Vdc

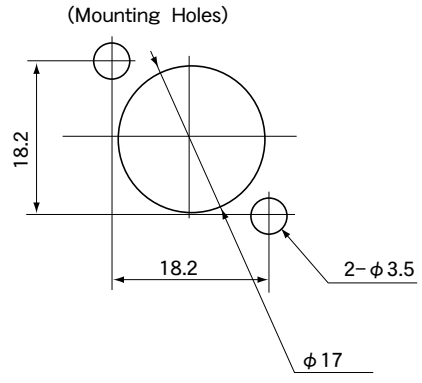
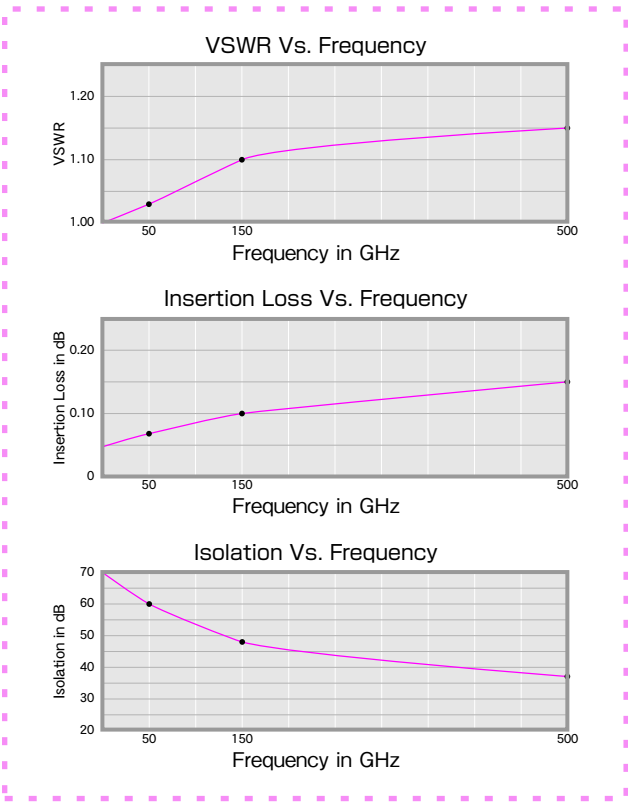
Resistance Ohms  
88 ±10% 20°C

# DIMENSIONS

■ SCALE m/n



## Typical Operating Curves



## Schematic

