

# SPECIFICATION

## MODEL

### CX-540D

IMPEDANCE / 50 Ohms.

#### VOLTAGE

ACTUATION DATA :  
VOLTAGE :

Pull in ..... 10Vdc - 14Vdc (12Vdc Nominal)  
Drop out ..... 3.0Vdc Min.  
Current ..... 139mA @12Vdc 20°C  
Coil resistance ... 86 Ohms 10% 20°C

#### SWITCHING TIME

SWITCHING TIME :

Pull in ..... 20ms max.  
Drop out ..... 15ms max.  
LIFE EXPECTANCY ..... 1,000,000. - Operation min.

#### MECHANICAL

MECAHANICAL :

Contact arrangement ..... SPDT  
Operational temperature ..... - 25°C to + 50°C (Max Temperature Rise:20c)  
Weight ..... Approx 230gs.  
Mounting ..... Four screws  
Cable connections ..... 3-BNC Type female connectors.

#### ELECTRICAL CHARACTERISTICS

ELECTRICAL CHARACTERISTICS :

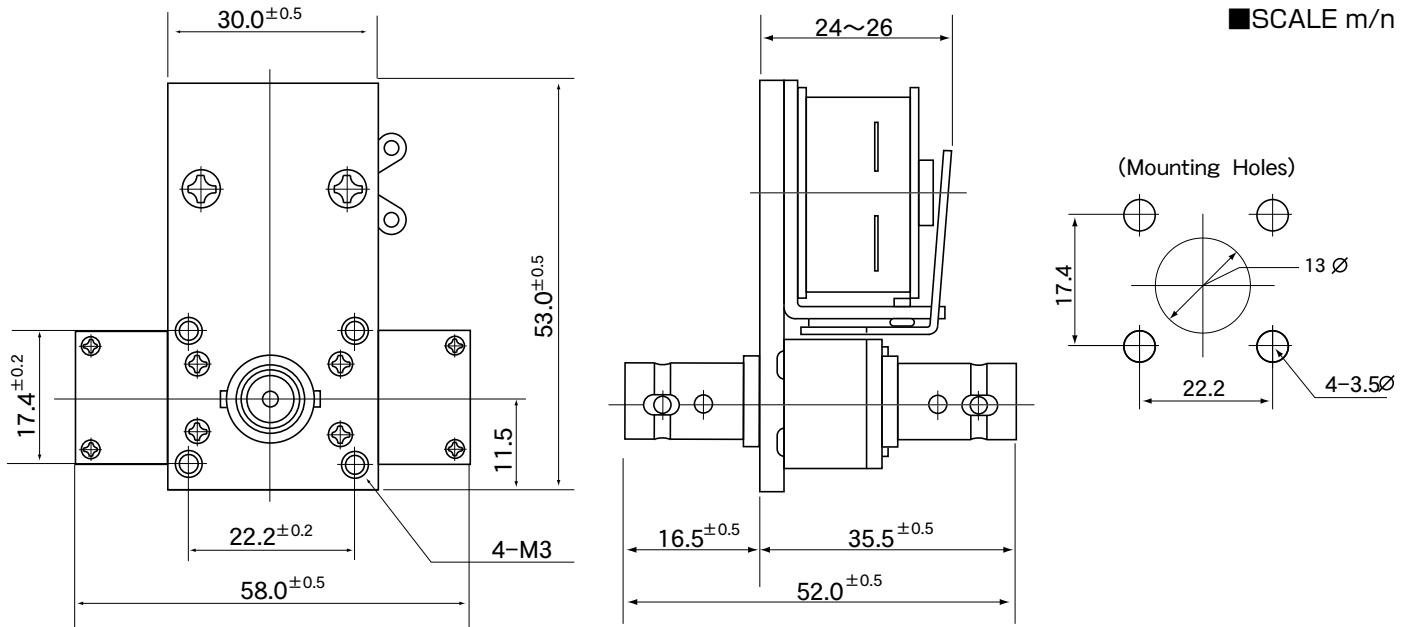
Frequency	VSWR	Isolation	Ins.Loss	IN PUT RF Power
MHz	Max	-dB(min)	-dB(max)	KW
50	1.005	65	0.1	0.35
150	1.01	60	0.15	0.3
500	1.03	53	0.18	0.3
1000	1.05	46	0.2	0.25
1500	1.17	42	0.2	0.2
2000	1.2	39	0.25	0.15

#### COIL CHARACTERISTICS

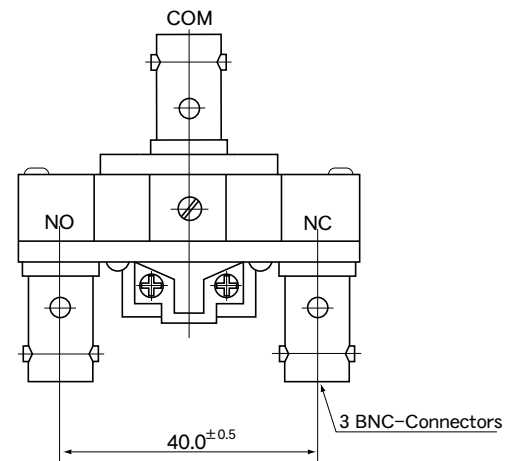
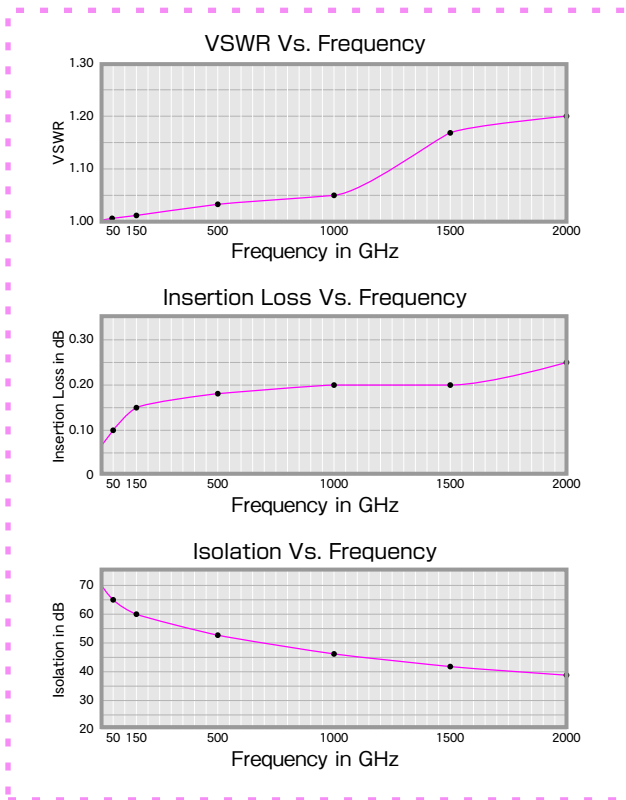
COIL CHARACTERISTICS :

Nominal Voltage                      Voltage Range                      Resistance Ohms  
12Vdc                                      10Vdc - 14Vdc                      86 ±10% 20°C

# DIMENSIONS



# Typical Operating Curves



# Schematic

