

# SPECIFICATION MODEL CX-230L

**IMPEDANCE / 50 Ohms.**

## VOLTAGE

**ACTUATION DATA :**

**VOLTAGE :**

Pull in ..... 10Vdc - 14Vdc (12Vdc Nominal)

Drop out ..... 3.0Vdc Min.

Current ..... 136mA @12Vdc 20°C

Coil resistance ... 88 Ohms 10% 20°C

## SWITCHING TIME

**SWITCHING TIME :**

Pull in ..... 20ms max.

Drop out ..... 15ms max.

LIFE EXPECTANCY ... 1,000,000. Operation min.

## MECHANICAL

**MECHANICAL :**

Contact arrangement ..... SPDT

Operational temperature ..... - 25°C to + 50°C (Max Temperature Rise:20c)

Weight ..... Approx 230gs.

Mounting ..... Two screws

Cable connections ..... 3 BNC-LR Type female connectors

## ELECTRICAL CHARACTERISTICS

**ELECTRICAL CHARACTERISTICS :**

Frequency MHz	VSWR Max	Isolation -dB(min)	Ins.Loss -dB(max)	IN PUT
				RF Power W
50	1.05	56	0.05	300
150	1.1	42	0.05	300
500	1.15	30	0.1	300
1000	1.3	24	0.2	200

## COIL CHARACTERISTICS

**COIL CHARACTERISTICS :**

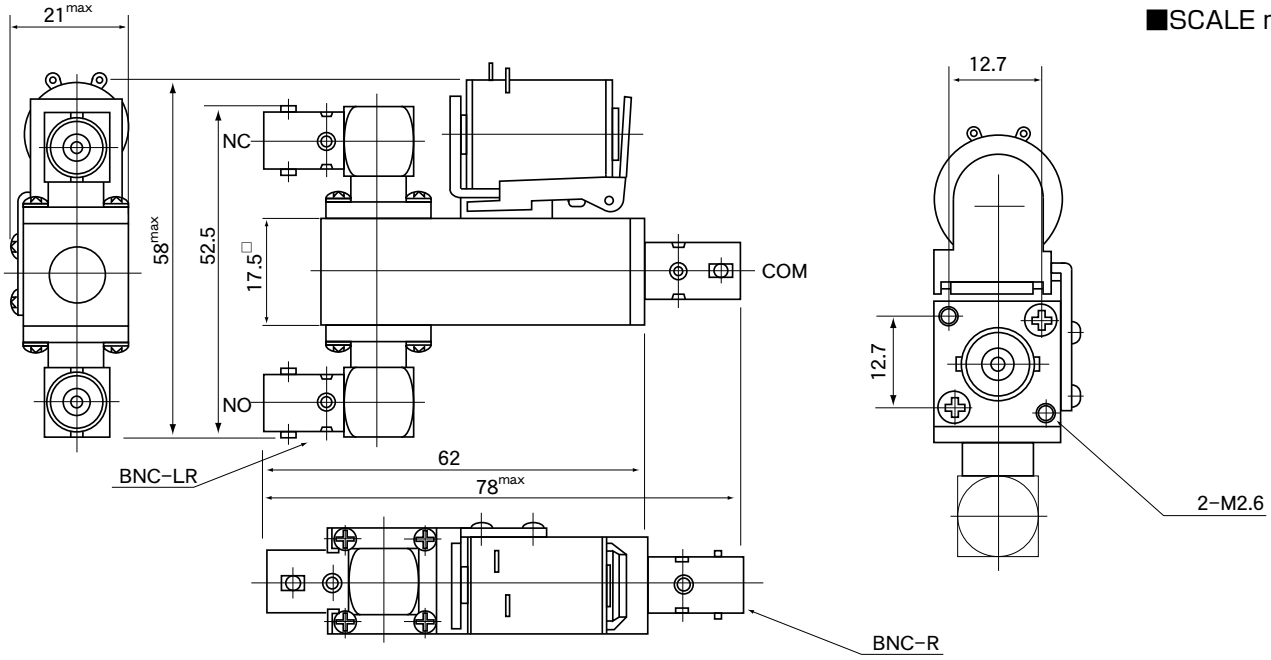
Nominal Voltage  
12Vdc

Voltage Range  
10Vdc - 14Vdc

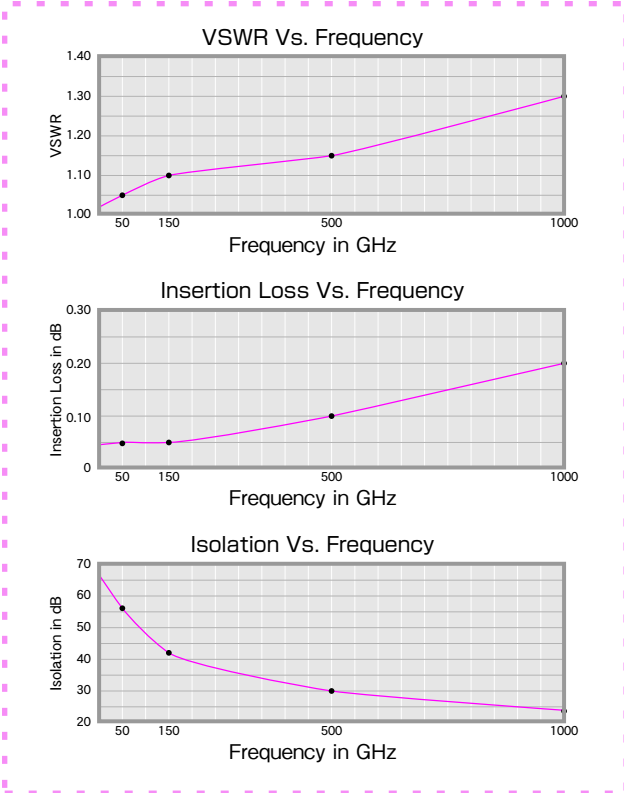
Resistance Ohms  
88 ±10% 20°C

# DIMENSIONS

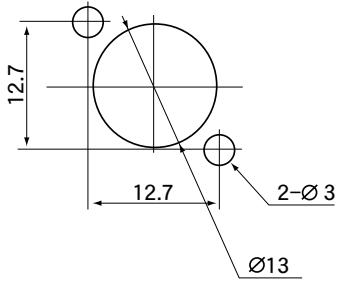
■ SCALE m/n



## Typical Operating Curves



(Mounting Holes)



## Schematic

