

# SPECIFICATION MODEL CX-120P

IMPEDANCE/ 50 Ohms.

## VOLTAGE

ACTUATION DATA :

VOLTAGE :

Pull in ..... 10Vdc - 14Vdc (12Vdc Nominal)

Drop out ..... 3.0Vdc Min.

Current ..... 61mA @12Vdc 20°C

Coil resistance ... 196 Ohms 10% 20°C

## SWITCHING TIME

SWITCHING TIME :

Pull in ..... 20ms typical.

Drop out ..... 15ms typical.

LIFE EXPECTANCY ... 1,000,000. Operation min.

## MECHANICAL

MECAHANICAL :

Contact arrangement ..... SPDT

Operational temperature ..... - 25°C to + 50°C (Max Temperature Rise:20c)

Weight ..... Approx 70gs.

Mounting ..... Printed board only

## ELECTRICAL CHARACTERISTICS

ELECTRICAL CHARACTERISTICS :

Frequency MHz	VSWR Max	Isolation -dB(min)	Ins.Loss -dB(max)	IN PUT
				RF Power W
50	1.05	60	0.05	250
150	1.1	50	0.1	200
500	1.3	40	0.2	150
1000	1.4	29	0.25	150

## COIL CHARACTERISTICS

COIL CHARACTERISTICS :

Nominal Voltage  
12Vdc

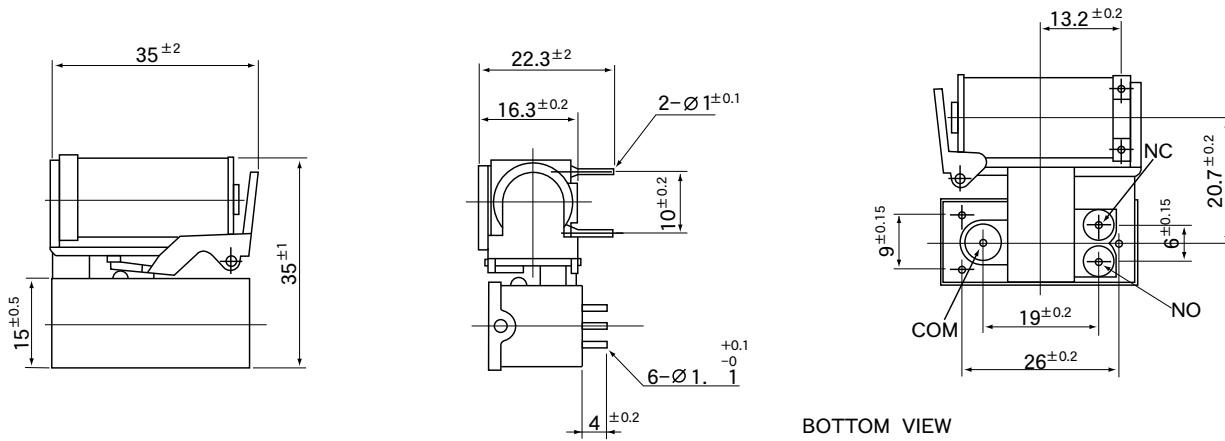
Voltage Range  
10Vdc - 14Vdc

Coil Resistance Ohms  
196 ±10% 20°C

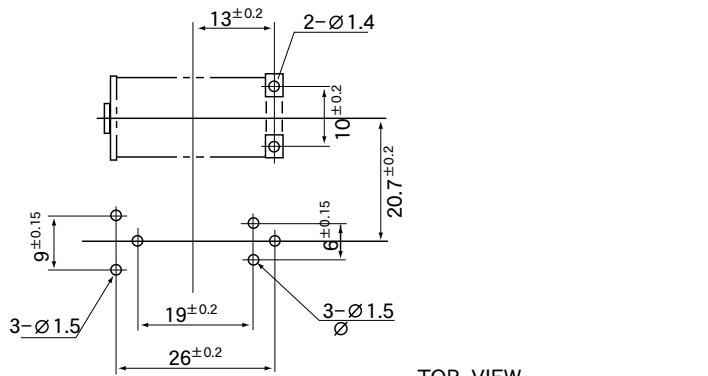
Note : Other voltages are also available at option.

# DIMENSIONS

SCALE m/n

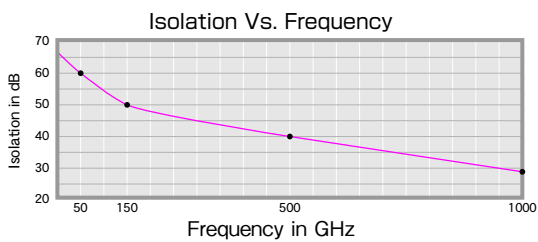
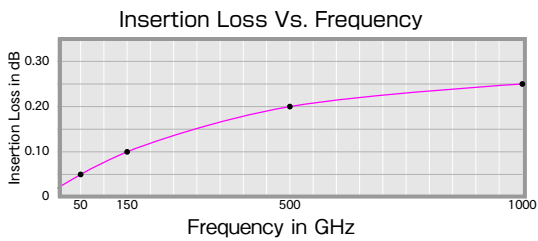
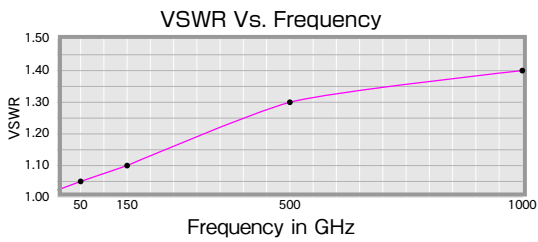


BOTTOM VIEW



TOP VIEW

# Typical Operating Curves



# Schematic

